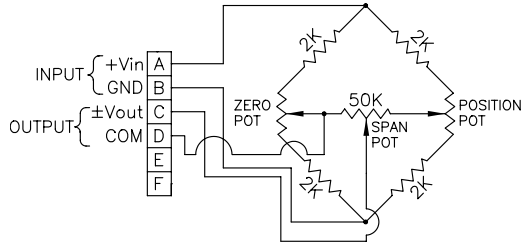


# PB Series Installation Guide

## Wiring and Circuit Diagram

### Model PB



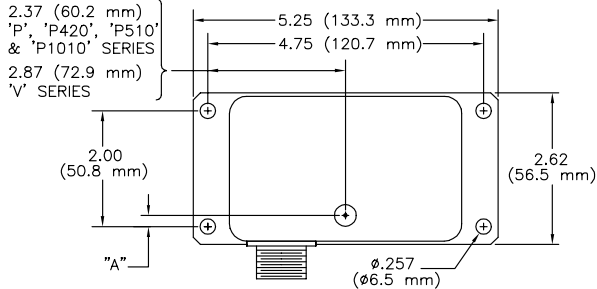
Excitation Voltage..... 25 VDC or VAC Max  
 Input Impedance ..... 1.25K $\Omega$   
 Output Impedance..... 14.1K $\Omega$  max. @51%  
 span setting

With small blade type screwdriver (.105" max. blade width X .023" max. blade thickness), adjust the *Zero* and *Span* controls on the transducer to set zero voltage output and maximum output voltage as follows.

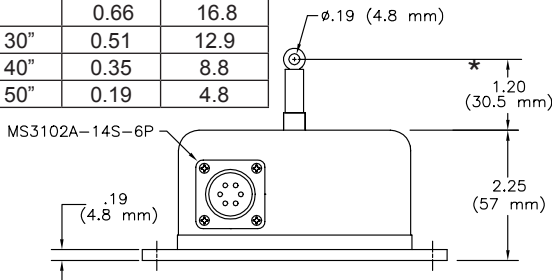
First extend the cable of the transducer (on angular position transducers, rotate shaft) to the desired zero position. **Note:** The zero position may be set anywhere within the total range of the transducer. Adjust the *Zero* control so that a zero voltage output is obtained. Extend the cable of the transducer (on angular position transducers, rotate shaft) to the desired maximum position relative to the selected zero position. The maximum extension from the zero position may require retraction or further extension of the cable. Adjust the *Span* control for the desired maximum output voltage. Note that the output voltage polarity is direction-dependent relative to the zero position. Negative output voltage indicates retraction from the zero position, while positive output voltage indicates extension from the zero position.

## Dimensional Information

### Ranges to 50" (1250 mm)

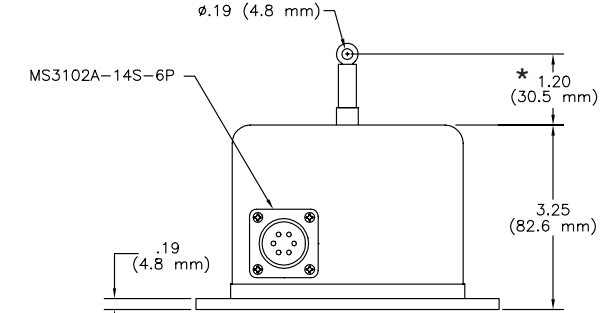
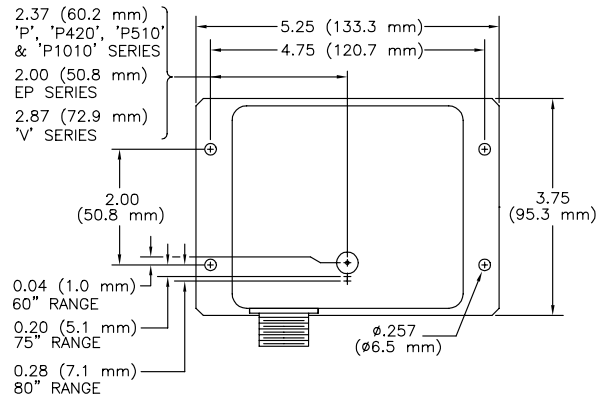


Range	"A"	
	[in.]	[mm.]
2", 10"	0.66	16.8
3", 15", 30"	0.51	12.9
4", 20", 40"	0.35	8.8
5", 25", 50"	0.19	4.8



\* 1.56 (39.6 mm) with "DS" option.

### Ranges to 80" (2000 mm)



\* 1.56 (39.6 mm) with "DS" option.

