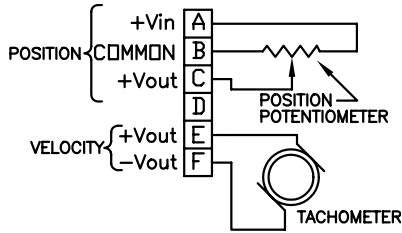


VPA Series Installation Guide

Wiring and Circuit Diagram

Model VPA



Velocity

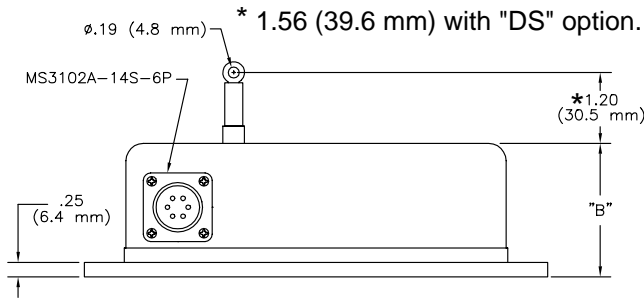
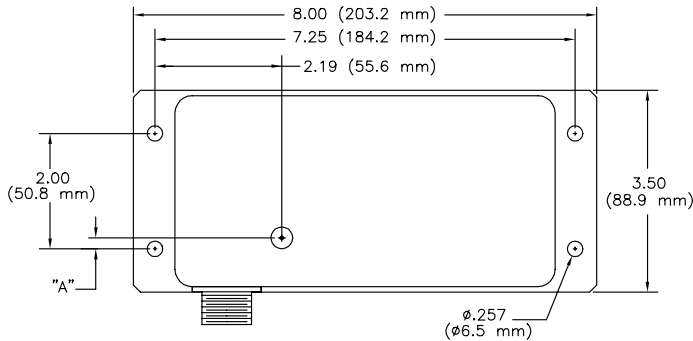
The tachometer is self-energizing and requires no input voltage.

Position

Excitation Voltage (+Vin)..... 25VDC or VAC Maimum
 Potentiometer Resistance..... 1000 ohms ±10%

Note: Any input voltage up to the maximum specified above may be used. However, for best performance, the input voltage should be closely regulated to insure a stable and accurate position signal output voltage.

Dimensional Information



Range	"A"		"B"	
	(in.)	(mm)	(in.)	(mm)
2", 10"	0.66	16.8	2.25	57.0
3", 15", 30"	0.51	12.9	2.25	57.0
4", 20", 40"	0.35	8.8	2.25	57.0
5", 25, 50"	0.19	4.8	2.25	57.0
60"	0.04	1.0	3.25	82.6
75"	-0.20	-5.1	3.25	82.6
80"	-0.28	-7.1	3.25	82.6

[Click Here for CES \(Cable Exit Side\) Option.](#)

[Click Here for CEB \(Cable Exit Bottom\) Option.](#)



4175 SW Research Way, Corvallis, Oregon, 97333
 •Tel: (541) 757-3158 •Fax (541) 757-0858