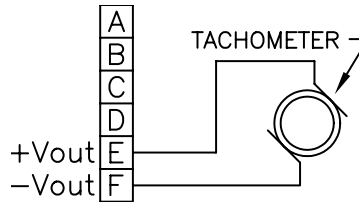


V Series Installation Guide

Wiring and Circuit Diagram

Model V

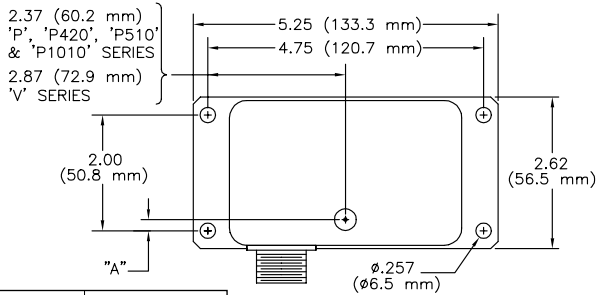


Velocity

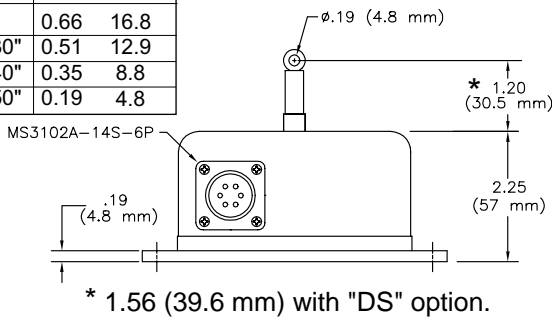
The tachometer is self energizing and requires no input voltage.

Dimensional Information

Ranges to 50" (1250 mm)



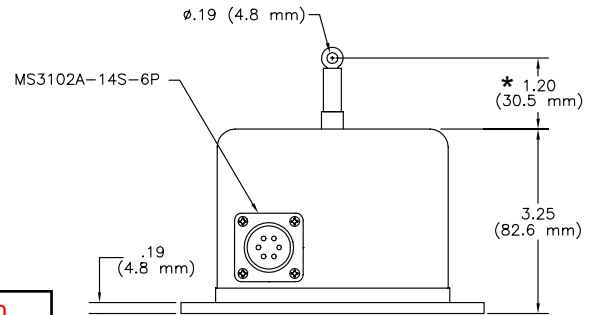
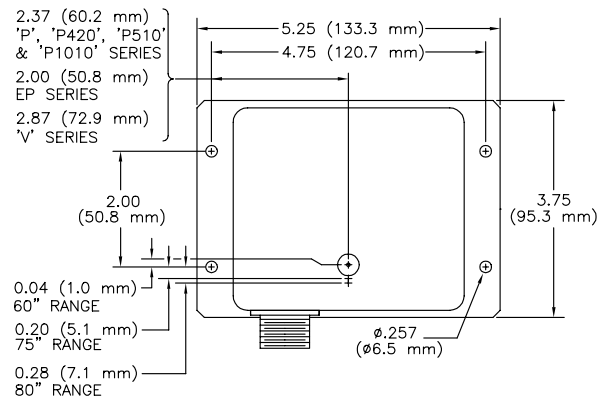
Range	"A" (in.) (mm.)
2", 10"	0.66 16.8
3", 15", 30"	0.51 12.9
4", 20", 40"	0.35 8.8
5", 25", 50"	0.19 4.8



* 1.56 (39.6 mm) with "DS" option.

[Click Here for CES \(Cable Exit Side\) Option.](#)
[Click Here for CEB \(Cable Exit Bottom\) Option.](#)

Ranges to 80" (2000 mm)



* 1.56 (39.6 mm) with "DS" option.



UniMeasure

4175 SW Research Way, Corvallis, Oregon, 97333
 •Tel: (541) 757-3158 •Fax (541) 757-0858