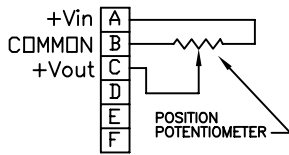


PA Series Installation Guide

Wiring and Circuit Diagram

Model PA

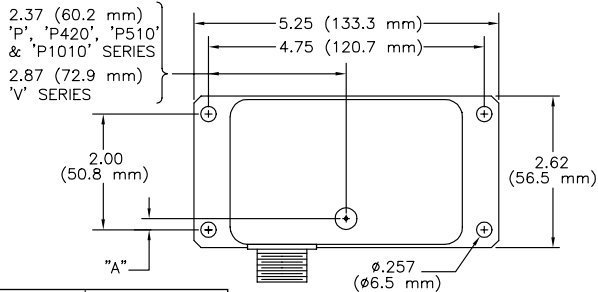


Excitation Voltage: 25 VDC or VAC Max.
 Potentiometer Resistance: 1000 ohms \pm 10%

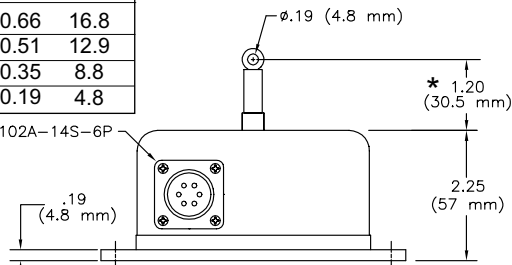
Note: Any input voltage up to the maximum specified above may be used. However, for best performance, the input voltage should be closely regulated to insure a stable and accurate output voltage.

Dimensional Information

Ranges to 50" (1250 mm)



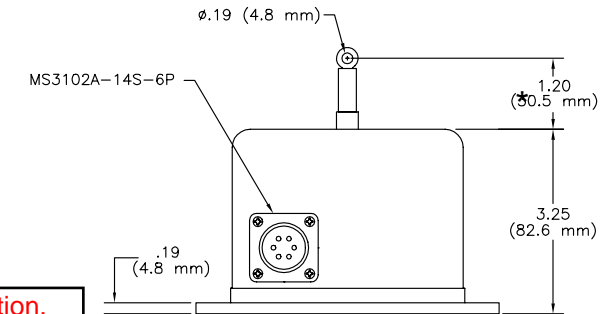
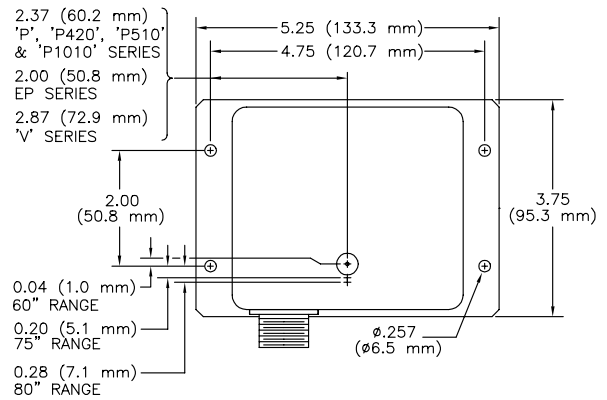
Range	"A"
	(in.) (mm.)
2", 10"	0.66 16.8
3", 15", 30"	0.51 12.9
4", 20", 40"	0.35 8.8
5", 25", 50"	0.19 4.8



* 1.56 (39.6 mm) with "DS" option.

[Click Here for CES \(Cable Exit Side\) Option.](#)
[Click Here for CEB \(Cable Exit Bottom\) Option.](#)

Ranges to 80" (2000 mm)



* 1.56 (39.6 mm) with "DS" option.