

EP Series Installation Guide

Wiring and Circuit Diagram

Digital Output / 2 Channel

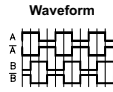
A	+Vin
B	COMMON
C	CHANNEL A
D	CHANNEL B
E	N.C.
F	N.C.



Model/Option	+ V in	OUTPUT STAGE
Standard EP, EPM, HX-EP	+5 VDC ±5%	Figure 1
H1	8 to 28 VDC	Figure 3

Digital Output / Line Drive

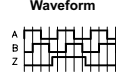
A	+Vin
B	COMMON
C	CHANNEL A
D	CHANNEL B
E	CHANNEL A
F	CHANNEL B



Model/Option	+ V in	OUTPUT STAGE
H2	+5 VDC ±5%	Figure 2
H3	8 to 28 VDC	Figure 3
H4	8 to 28 VDC	Figure 4
H5	+5 VDC ±5%	Figure 5

Digital Output / 2 Channel with Index

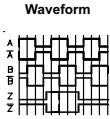
A	+Vin
B	COMMON
C	CHANNEL A
D	CHANNEL B
E	CHANNEL Z
F	N.C.



Model/Option	+ V in	OUTPUT STAGE
"I" option	+5 VDC ±5%	Figure 1
"H1I" option	+8 to +28 VDC	Figure 3

Digital Output / Line Drive with Index

A	+Vin
B	COMMON
C	CHANNEL A
D	CHANNEL A
E	CHANNEL B
F	CHANNEL B
G	CHANNEL Z
H	CHANNEL Z



Model/Option	+ V in	OUTPUT STAGE
H2I	+5 VDC ±5%	Figure 2
H3I	8 to 28 VDC	Figure 3
H4I	8 to 28 VDC	Figure 4
H5I	+5 VDC ±5%	Figure 5

Output Stages

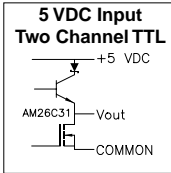


Figure 1

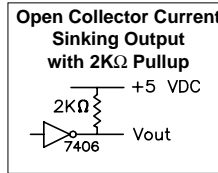


Figure 2

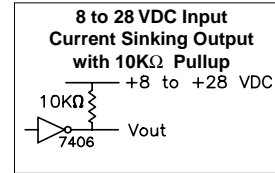


Figure 3

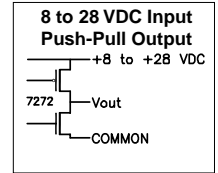


Figure 4

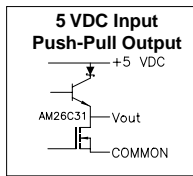
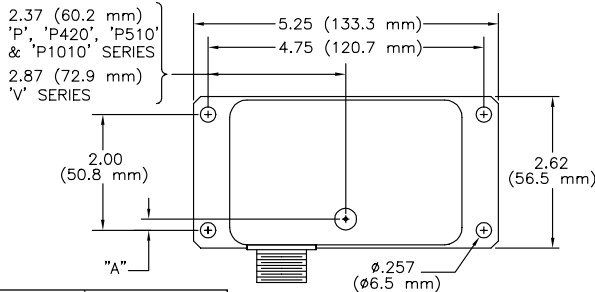


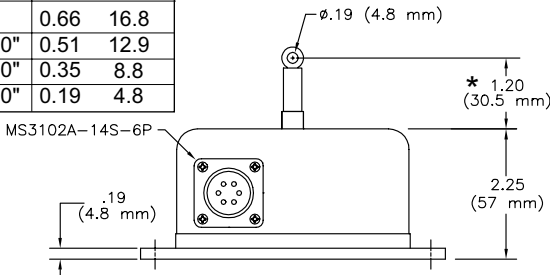
Figure 5

Dimensional Information

Ranges to 50" (1250 mm)



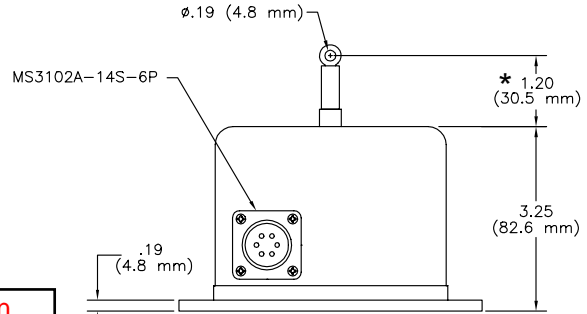
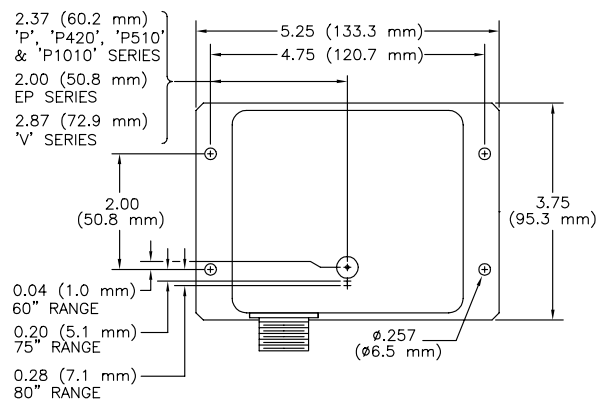
Range	"A" (in.)	(mm.)
2", 10"	0.66	16.8
3", 15", 30"	0.51	12.9
4", 20", 40"	0.35	8.8
5", 25", 50"	0.19	4.8



* 1.56 (39.6 mm) with "DS" option.

[Click Here for CES \(Cable Exit Side\) Option.](#)
[Click Here for CEB \(Cable Exit Bottom\) Option.](#)

Ranges to 80" (2000 mm)



* 1.56 (39.6 mm) with "DS" option.