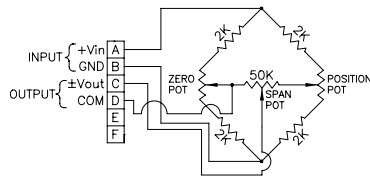


# HX-PB Series Installation Guide

## Wiring and Circuit Diagram

### Model HX-PB

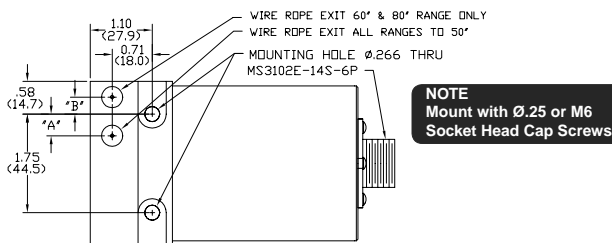


Excitation Voltage .....25 VDC or VAC Max  
 Input Impedance .....1.25KΩ  
 Output Impedance .....14.1KΩ max. @51%  
 span setting

With small blade type screwdriver (.105" max. blade width X .023" max. blade thickness), adjust the *Zero* and *Span* controls on the transducer to set zero voltage output and maximum output voltage as follows.

First extend the cable of the transducer (on angular position transducers, rotate shaft) to the desired zero position. **Note:** The zero position may be set anywhere within the total range of the transducer. Adjust the *Zero* control so that a zero voltage output is obtained. Extend the cable of the transducer (on angular position transducers, rotate shaft) to the desired maximum position relative to the selected zero position. The maximum extension from the zero position may require retraction or further extension of the cable. Adjust the *Span* control for the desired maximum output voltage. Note that the output voltage polarity is direction-dependent relative to the zero position. Negative output voltage indicates retraction from the zero position, while positive output voltage indicates extension from the zero position.

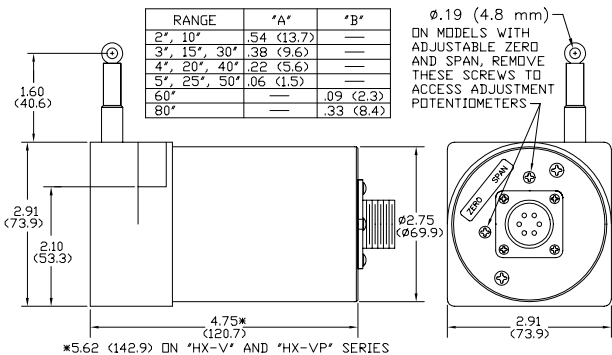
## Dimensional Information



RANGE	"A"	"B"
2", 10"	.54 (13.7)	—
3", 15", 30"	.38 (9.6)	—
4", 20", 40"	.22 (5.6)	—
5", 25", 50"	.06 (1.5)	—
60"	—	.09 (2.3)
80"	—	.33 (8.4)

**NOTE**  
Mount with Ø.25 or M6 Socket Head Cap Screws.

Ø.19 (4.8 mm)  
ON MODELS WITH ADJUSTABLE ZERO AND SPAN, REMOVE THESE SCREWS TO ACCESS ADJUSTMENT POTENTIOMETERS



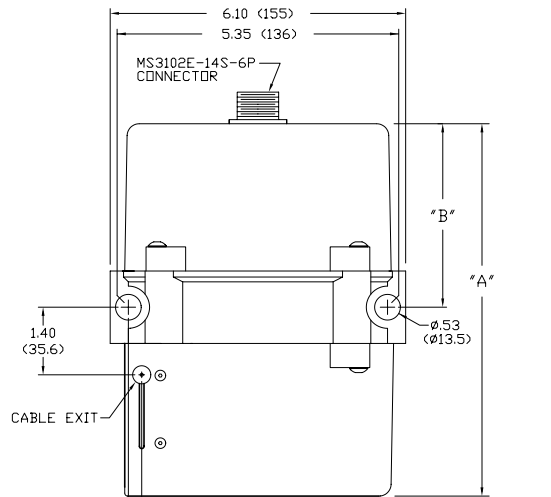
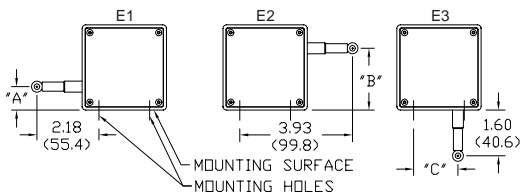
\*5.62 (142.9) ON "HX-V" AND "HX-VP" SERIES

### Alternate Wire Rope Exit

RANGE	"A"	"B"	"C"
2", 10"	1.12 (28.4)	1.79 (45.5)	1.21 (30.7)
3", 15", 30"	.96(24.4)	1.95 (49.5)	1.37 (34.8)
4", 20", 40"	.80 (20.3)	2.11 (53.6)	1.53 (38.9)
5", 25", 50"	.64 (16.3)	2.27 (57.7)	1.69 (42.9)
60"	.49 (12.4)	2.42 (61.5)	1.84 (46.7)
80"	.25 (6.4)	2.66 (67.6)	2.08 (52.8)

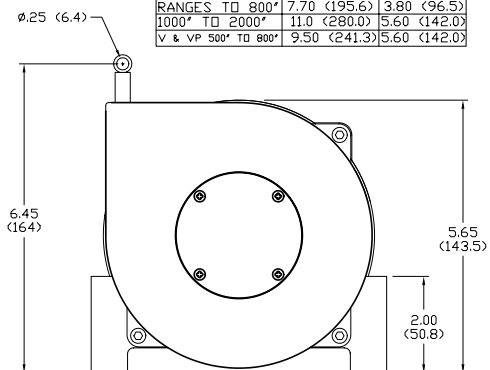
Note: Dimensions in brackets are millimeters.

### Alternate Wire Rope Exit



**NOTE**  
Mount with Ø.50 or M12 Socket Head Cap Screws

RANGE	DIM "A"	DIM "B"
RANGES TO 800"	7.70 (195.6)	3.80 (96.5)
1000" TO 2000"	11.0 (280.0)	5.60 (142.0)
V & VP 500" TO 800"	9.50 (241.3)	5.60 (142.0)



DIMENSIONS IN BRACKETS ARE MILLIMETERS

### Alternate Wire Rope Exit

