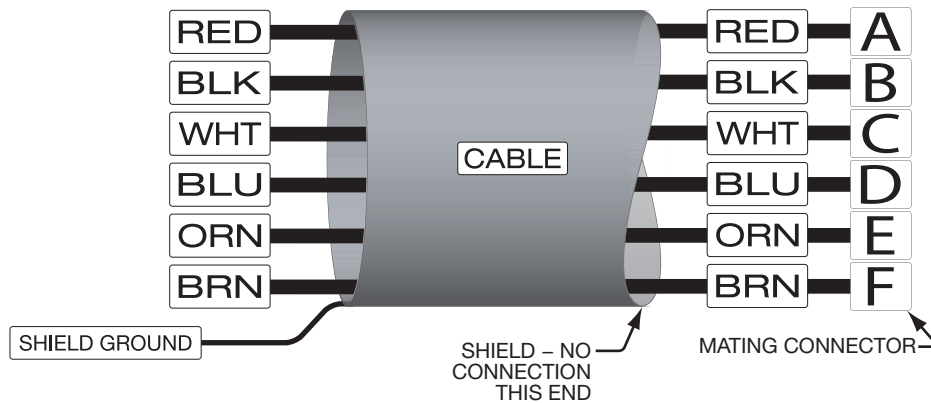


STANDARD SERIES ELECTRICAL CABLE WIRING

- 10028-xM — Electrical Cable w/Mating Connector



Standard Series — Position

Wire Color	Conn Pin	PA	PB	P420	P510	P1010	P1010-SI
RED	A	+Vin	+Vin	+Vin	+Vin	+15Vin	+Vin
BLK	B	COM	-Vin	Vout	COM	-15Vin	COM
WHT	C	+Vout	±Vout	No Connection	COM	COM	COM
BLU	D	No Connection	COM OUT	No Connection	+Vout	±Vout	±Vout
ORN	E	No Connection	No Connection	No Connection	No Connection	No Connection	No Connection
BRN	F	No Connection	No Connection	No Connection	No Connection	No Connection	No Connection

Standard Series — Position and Velocity

Wire Color	Conn Pin	VPA	VPB	VP420	VP510	VP1010	VP1010-SI
RED	A	+Vin	+Vin	+Vin	+Vin	+15Vin	+Vin
BLK	B	COM	-Vin	Vout	COM	-15Vin	COM
WHT	C	+Vout	±Vout	No Connection	COM	COM	COM
BLU	D	No Connection	COM OUT	No Connection	+Vout	±Vout	±Vout
VELOCITY OUTPUT ORN	E	+Vout	+Vout	+Vout	+Vout	+Vout	+Vout
VELOCITY OUTPUT BRN	F	-Vout	-Vout	-Vout	-Vout	-Vout	-Vout

EP Series — Position

Wire Color	Conn Pin	EP	I	H1	H2	H3	H4	H5
RED	A	+Vin	+Vin	+Vin	+Vin	+Vin	+Vin	+Vin
BLK	B	COM	COM	COM	COM	COM	COM	COM
WHT	C	Channel A	Channel A	Channel A	Channel A	Channel A	Channel A	Channel A
BLU	D	Channel B	Channel B	Channel B	Channel \bar{A}	Channel \bar{A}	Channel \bar{A}	Channel \bar{A}
ORN	E	No Connection	Channel Z	No Connection	Channel B	Channel B	Channel B	Channel B
BRN	F	No Connection	No Connection	No Connection	Channel \bar{B}	Channel \bar{B}	Channel \bar{B}	Channel \bar{B}

V Series - Velocity

Wire Color	Conn Pin	V
RED	A	No Connection
BLK	B	No Connection
WHT	C	No Connection
BLU	D	No Connection
ORN	E	+Vout
BRN	F	-Vout