

EP Series Installation Guide

Wiring and Circuit Diagram

Model EP

Digital Output / 2 Channel

Connector

A	+Vin
B	COMMON
C	CHANNEL A
D	CHANNEL B
E	N.C.
F	N.C.

Waveform



Model/Option	+ V in	OUTPUT STAGE
Standard EP, EPM, HX-EP	+5 VDC ±5%	Figure 1
H1	8 to 28 VDC	Figure 3

Digital Output / Line Drive with Index

Connector

A	+Vin
B	COMMON
C	CHANNEL A
D	CHANNEL A
E	CHANNEL B
F	CHANNEL B
G	CHANNEL Z
H	CHANNEL Z

Waveform



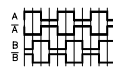
Model/Option	+ V in	OUTPUT STAGE
H2I	+5 VDC ±5%	Figure 2
H3I	8 to 28 VDC	Figure 3
H4I	8 to 28 VDC	Figure 4
H5I	+5 VDC ±5%	Figure 5

Digital Output / Line Drive

Connector

A	+Vin
B	COMMON
C	CHANNEL A
D	CHANNEL A
E	CHANNEL B
F	CHANNEL B

Waveform



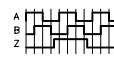
Model/Option	+ V in	OUTPUT STAGE
H2	+5 VDC ±5%	Figure 2
H3	8 to 28 VDC	Figure 3
H4	8 to 28 VDC	Figure 4
H5	+5 VDC ±5%	Figure 5

Digital Output / 2 Channel with Index

Connector

A	+Vin
B	COMMON
C	CHANNEL A
D	CHANNEL B
E	CHANNEL Z
F	N.C.

Waveform



Model/Option	+ V in	OUTPUT STAGE
"I" option	+5 VDC ±5%	Figure 1
"H1" option	+8 to +28 VDC	Figure 3

Output Stages

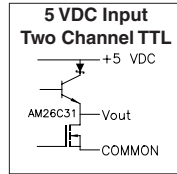


Figure 1

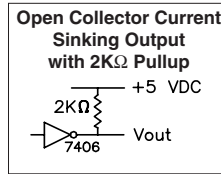


Figure 2

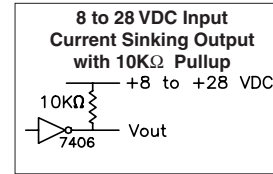


Figure 3

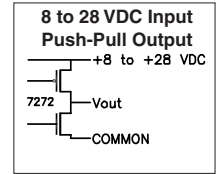


Figure 4

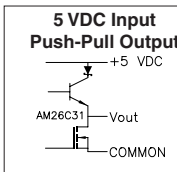
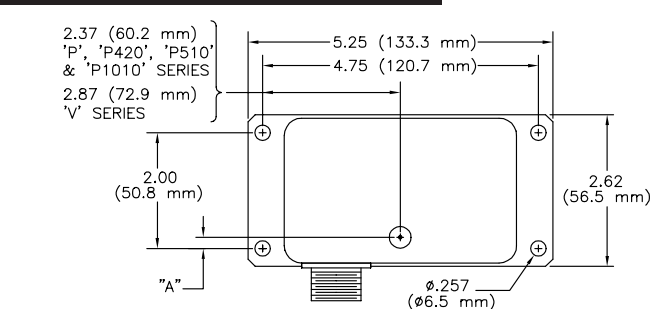


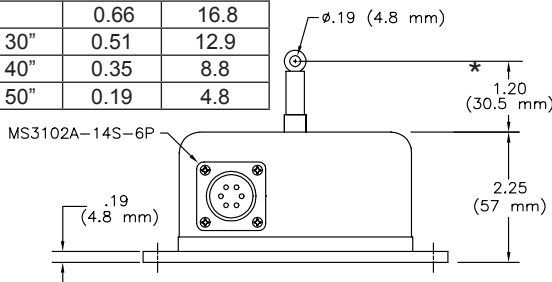
Figure 5

Dimensional Information

Ranges to 50" (1250 mm)

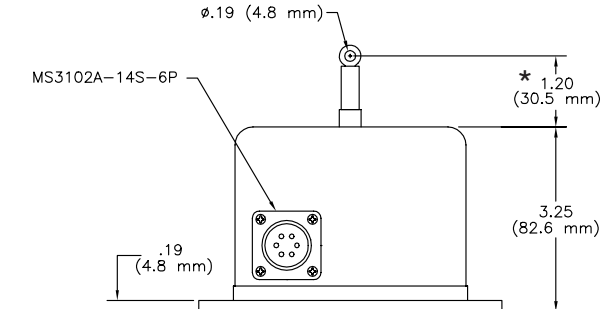
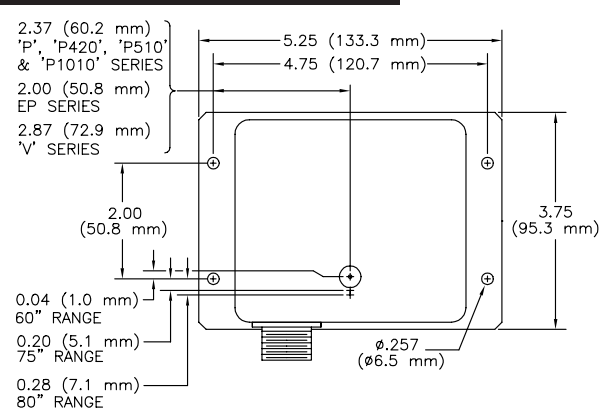


Range	"A"	
	(in.)	(mm.)
2", 10"	0.66	16.8
3", 15", 30"	0.51	12.9
4", 20", 40"	0.35	8.8
5", 25", 50"	0.19	4.8



* 1.56 (39.6 mm) with "DS" option.

Ranges to 80" (2000 mm)



* 1.56 (39.6 mm) with "DS" option.



UniMeasure

4175 SW Research Way, Corvallis, Oregon, 97333
•Tel: (541) 757-3158 •Fax (541) 757-0858

Standard Series Installation Guide

OPTION "CES" SIDE CABLE EXIT

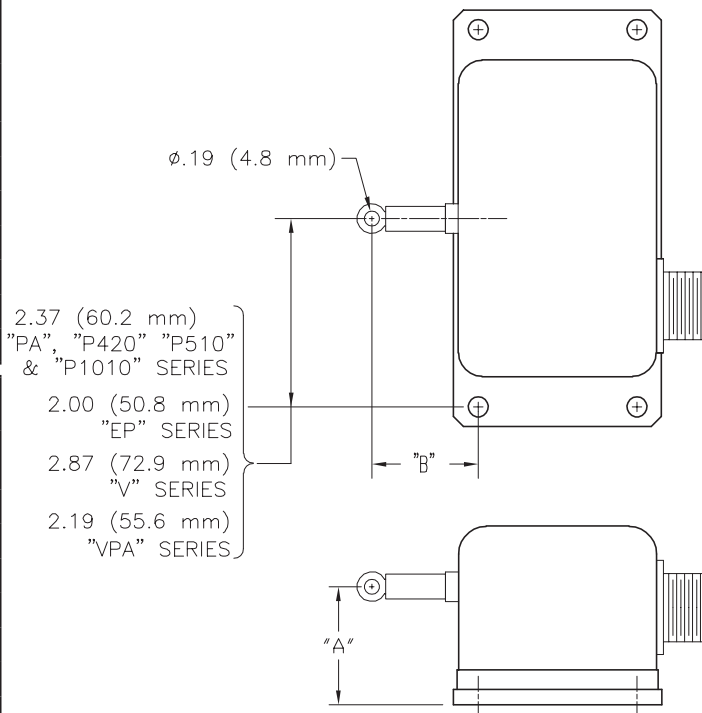
PA, PB, P420, P510, P1010, EP, V, VP SERIES

RANGE	PA, PB, P420, P510, P1010 EP, V SERIES	
	DIMENSION "A"	DIMENSION "B"*
2", 10"	1.52" (38.6 mm)	1.28" (32.5 mm)
3", 15", 30"	1.68" (42.7 mm)**	1.28" (32.5 mm)
4", 20", 40"	1.84" (46.7 mm)**	1.28" (32.5 mm)
5", 25", 50"	1.97" (50.8mm)**	1.28" (32.5 mm)
60"	2.53" (64.3 mm)	1.78" (45.2 mm)
75"	2.76" (70.2 mm)	1.78" (45.2 mm)
80"	2.84" (72.2 mm)	1.78" (45.2 mm)

RANGE	VP SERIES	
	DIMENSION "A"	DIMENSION "B"*
2", 10"	1.58" (40.1 mm)	1.68" (42.7 mm)
3", 15", 30"	1.74" (44.2 mm)**	1.68" (42.7 mm)
4", 20", 40"	1.90" (48.3 mm)**	1.68" (42.7 mm)
5", 25", 50"	2.03" (52.3 mm)**	1.68" (42.7 mm)
60"	2.59" (65.8 mm)	1.68" (42.7 mm)
75"	2.82" (71.6 mm)	1.68" (42.7 mm)
80"	2.90" (73.7 mm)	1.68" (42.7 mm)

* With "DS" (dust shield) option, add 0.36" (9.1 mm) to "B" dimensions above.

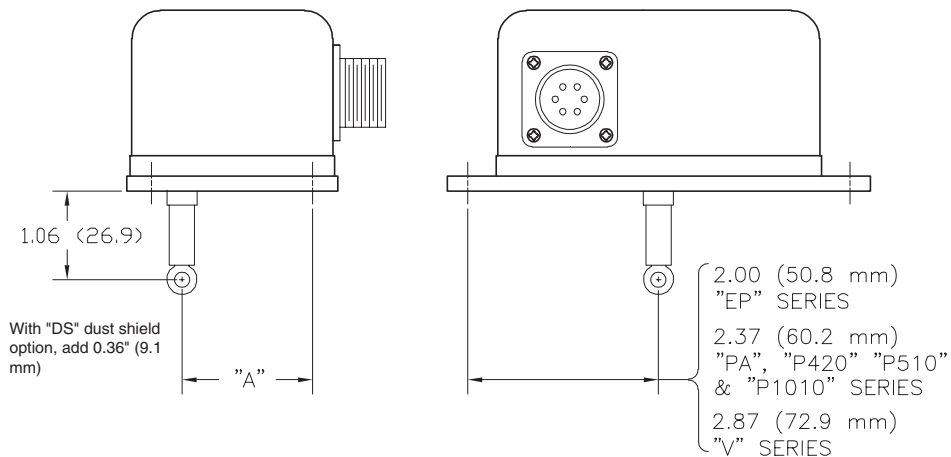
** With "HG" (high wire rope tension) option, add 0.375" to dimension shown for 30", 40" and 50" measurement ranges only.



OPTION "CEB" BOTTOM CABLE EXIT

PA, PB, P420, P510, P1010, EP, V SERIES

RANGE	DIMENSION "A"
2", 10"	1.34 (34.0 mm)
3", 15", 30"	1.49 (37.8 mm)
4", 20", 40"	1.65 (41.9 mm)
5", 25", 50"	1.81 (46.0 mm)
60"	1.96 (49.8 mm)
75"	2.20 (55.9 mm)
80"	2.28 (57.9 mm)



UniMeasure

4175 SW Research Way, Corvallis, Oregon, 97333

•Tel: (541) 757-3158 •Fax (541) 757-0858